

## SYSTEM: FIBERSHIELD®

MODEL: FIBERSHIELD®-I



## Product description

Heat-insulating fire protection closure with a textile design that closes automatically in the event of an alarm, vertical installation position and closing direction

<b>Type</b>	Heat-insulating fire protection closure with textile design
<b>Verification</b>	CE marking according to EN 16034:2014 in conjunction with EN 13241:2003+A2:2016
<b>Closing direction</b>	From top to bottom
<b>Fire resistance</b>	EI <sub>1</sub> 30 - EI <sub>2</sub> 120   Tested according to EN 1634-1:2014-03   Classified according to EN 13501-2:2016
<b>Smoke protection</b>	S <sub>a</sub> : for joint length 14.5 m for EI <sub>1</sub> 30 - EI <sub>2</sub> 120   Tested according to EN 1634-3:2005-01 in connection with EN 1363-1:2012-10   Classified according to EN 13501-2:2016
<b>Closing cycles</b>	C0, C1, C2   Tested according to EN 12605:2000-08   Classified according to EN 13501-2:2016
<b>Fire behaviour of textile</b>	B-s1, d0; E-d2   Tested according to ISO 11925-2 and EN 13823   Classified according to EN 13501-1:2018
<b>Environmental conditions</b>	Special environmental conditions are not taken into account (e.g. humidity > 80 %, ambient temperature < 5 °C and > 45 °C, wind loads etc.).
<b>Visible surfaces</b>	galvanized RAL, smooth, silk gloss, standard colour shade NCS standard color Stainless steel type IV2A material A-1.4301 (bright) Stainless steel type II V2A material A-1.4301, K240 (ground) in each case for the visible surfaces of the housing and the guide rails

## Dimensions and system design

The combination of classifications or the ratio of clear system width to clear system height may reduce the stated maximum dimensions and the dimensions of the enclosure and guide rails may vary. The specifications on the quotation apply.

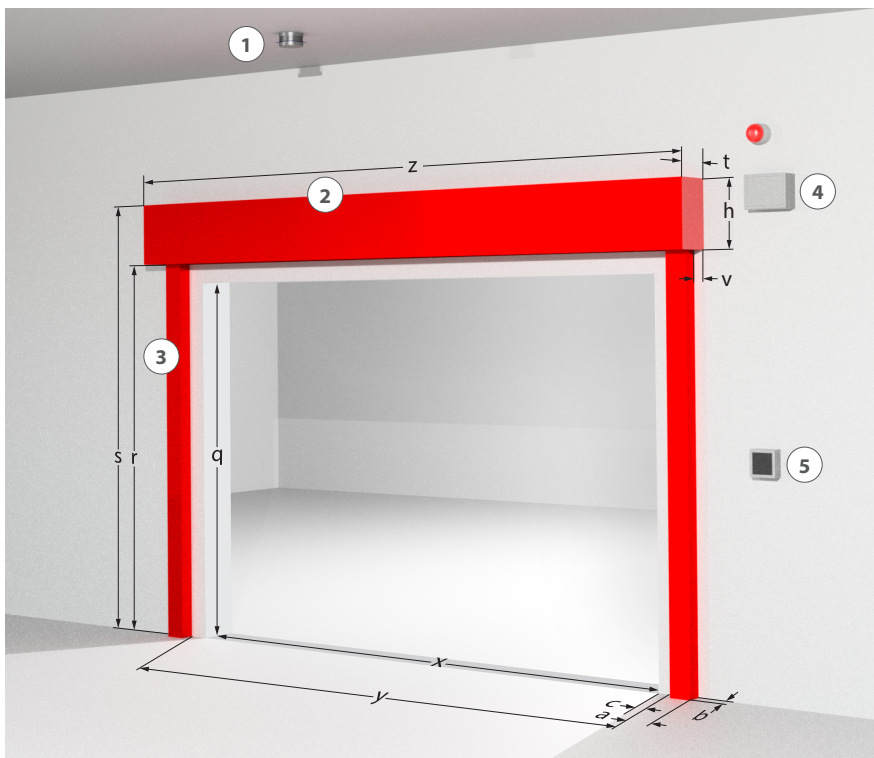
Fire resistance/ classifications	Size max.* [y x r] in mm	Fabric	Wall thickness** in mm	Housing	Guide rails
E <sub>1</sub> 30/E <sub>2</sub> 30	7315 x 3800	Stratex 3	150	Type A	Type 1 or Type 3***
E <sub>1</sub> 30/E <sub>2</sub> 30	7315 x 4950	Stratex 3	150	Type B	Type 1 or Type 3***
E <sub>1</sub> 60	6600 x 4840	Stratex 6	150	Type B	Type 2
E <sub>2</sub> 60	4400 x 3400	Stratex 6	150	Type A	Type 1 or Type 3***
E <sub>2</sub> 60	4400 x 4400	Stratex 6	150	Type B	Type 1 or Type 3***
E <sub>2</sub> 60	6600 x 4840	Stratex 9	150	Type B	Type 1
E <sub>1</sub> 90	6000 x 4400	Stratex 12	150	Type B	Type 2
E <sub>2</sub> 90	6000 x 4400	Stratex 9	150	Type B	Type 1
E <sub>2</sub> 120	6000 x 4840	Stratex 12	175	Type B	Type 2
S <sub>a</sub>	S <sub>a</sub> = joint length must not exceed 14.5 m (normative: 3-sided without end strip)				
C0	7315 x 4950	Stratex 3, E <sub>1</sub> 30/E <sub>2</sub> 30		Type A	Type 1
	7315 x 3800	Stratex 3, E <sub>1</sub> 30/E <sub>2</sub> 30		Type B	Type 1
C1	4400 x 4300	Stratex 6, E <sub>1</sub> 60		Type A	Type 1
	4400 x 4400	Stratex 6, E <sub>2</sub> 60		Type B	Type 1
	6000 x 4400	Stratex 9, E <sub>2</sub> 60		Type B	Type 1
	6000 x 4400	Stratex 9, E <sub>2</sub> 90		Type B	Type 1
C2	6600 x 3800	Stratex 3, E <sub>1</sub> 30/E <sub>2</sub> 30		Type A	Type 1
	6600 x 4840	Stratex 3, E <sub>1</sub> 30/E <sub>2</sub> 30		Type B	Type 1
	6600 x 4400	Stratex 12, E <sub>1</sub> 90		Type B	Type 2

The installation situation must comply with the building code requirements of the country of installation. The fire resistance of a ceiling or wall support structure and the adjacent components must at least correspond to that of the fire and/or smoke protection closure/fire and/or smoke protection curtain. Proof of the stability and serviceability of the adjacent walls and components must be provided under general ambient conditions and in the event of fire. See also notes on the standard supporting structure in EN1366-7:2004 or EN1363-1:2020. The fire protection system must not be subjected to any additional loads other than its own weight, even in the event of fire.

\* Deviations from size dimensions on request

\*\* tested wall types according to the installation instructions

\*\*\* Guide rails type 3 maximum size 3000 x 2870 mm



### Legend System components:

- 1 = Smoke detector
- 2 = Housing
- 3 = Guide rail
- 4 = Control module
- 5 = Trigger device (see the valid general type approval of the brake system for design details of the electrical components.)

### Legend Dimensioning:

#### Structure

- q = Clear shell construction height
- x = Clear shell construction width

#### System

- s = System height
- r = Clear system height
- y = Clear system width
- z = System width

#### Housing

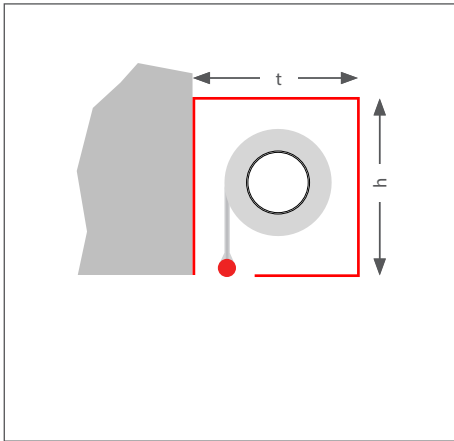
- t = Depth
- h = Height
- v = Offset between housing and guide rail

#### Guide rail

- a = Width
- b = Depth
- c = Cover

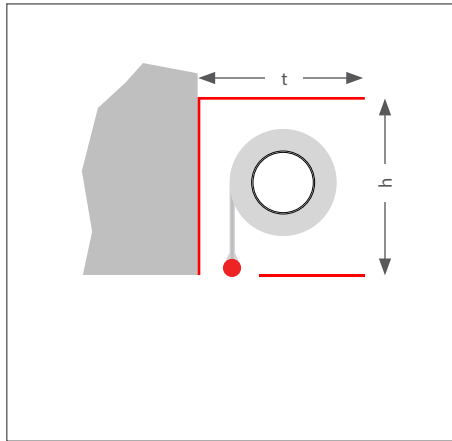
## Housing

Wall with housing cover



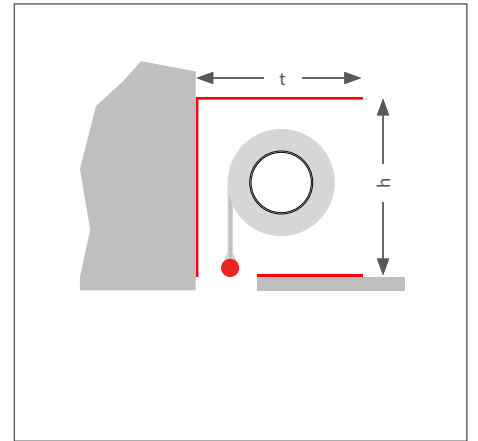
Type A:  $t = 380 \text{ mm}$ ,  $h = 350 \text{ mm}$   
 Type B:  $t = 460 \text{ mm}$ ,  $h = 430 \text{ mm}$

Wall without housing cover



Type A:  $t = 380 \text{ mm}$ ,  $h = 350 \text{ mm}$   
 Type B:  $t = 460 \text{ mm}$ ,  $h = 430 \text{ mm}$

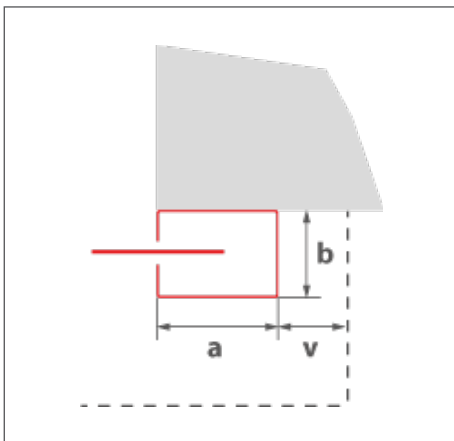
Wall without housing cover, with false ceiling



Type A:  $t = 380 \text{ mm}$ ,  $h = 350 \text{ mm}$   
 Type B:  $t = 460 \text{ mm}$ ,  $h = 430 \text{ mm}$

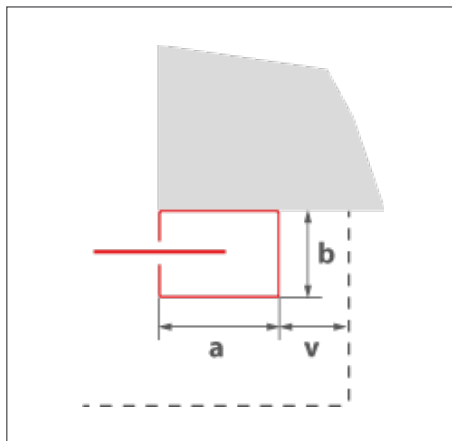
## Guide rails

Type 1



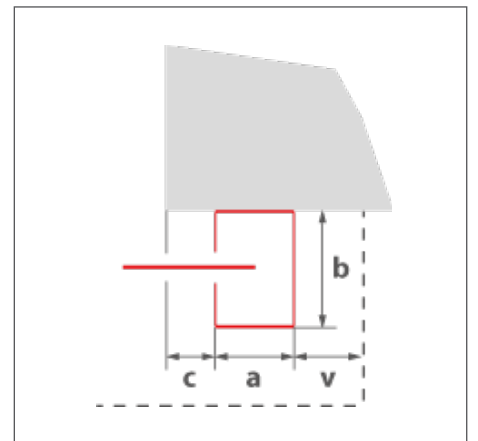
$a = 200 \text{ mm}$   
 $b = 82 \text{ mm}$   
 $v = 47 \text{ mm}$

Type 2



$a = 230 \text{ mm}$   
 $b = 110 \text{ mm}$   
 $v = 42 \text{ mm}$

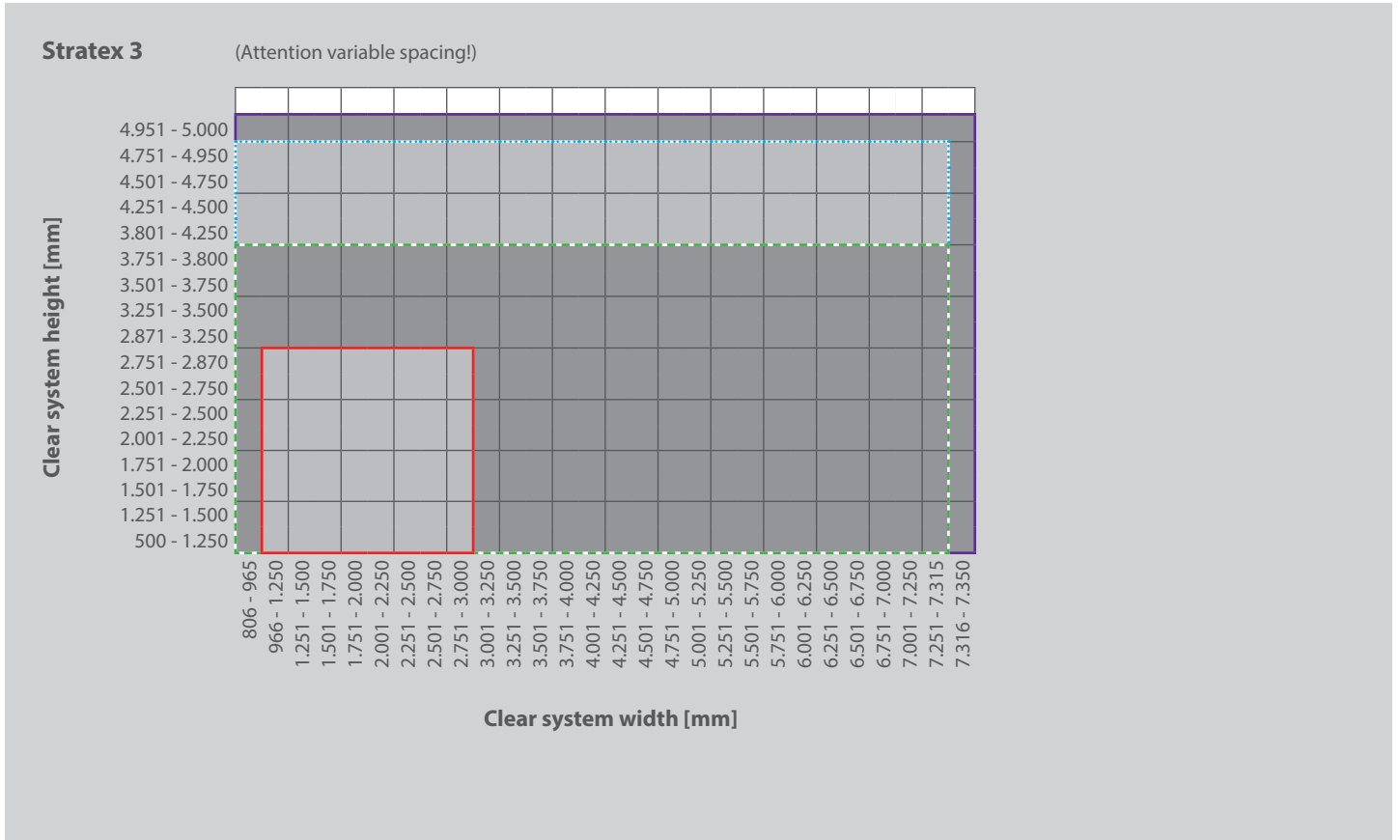
Type 3



$a = 90 \text{ mm}$   
 $b = 120 \text{ mm}$   
 $v = 60 \text{ mm}$   
 $c = 0 \text{ mm}$  for  $EI_1 30$ ,  $EI_2 30$   
 $c = 60 \text{ mm}$  for  $EI_2 60$

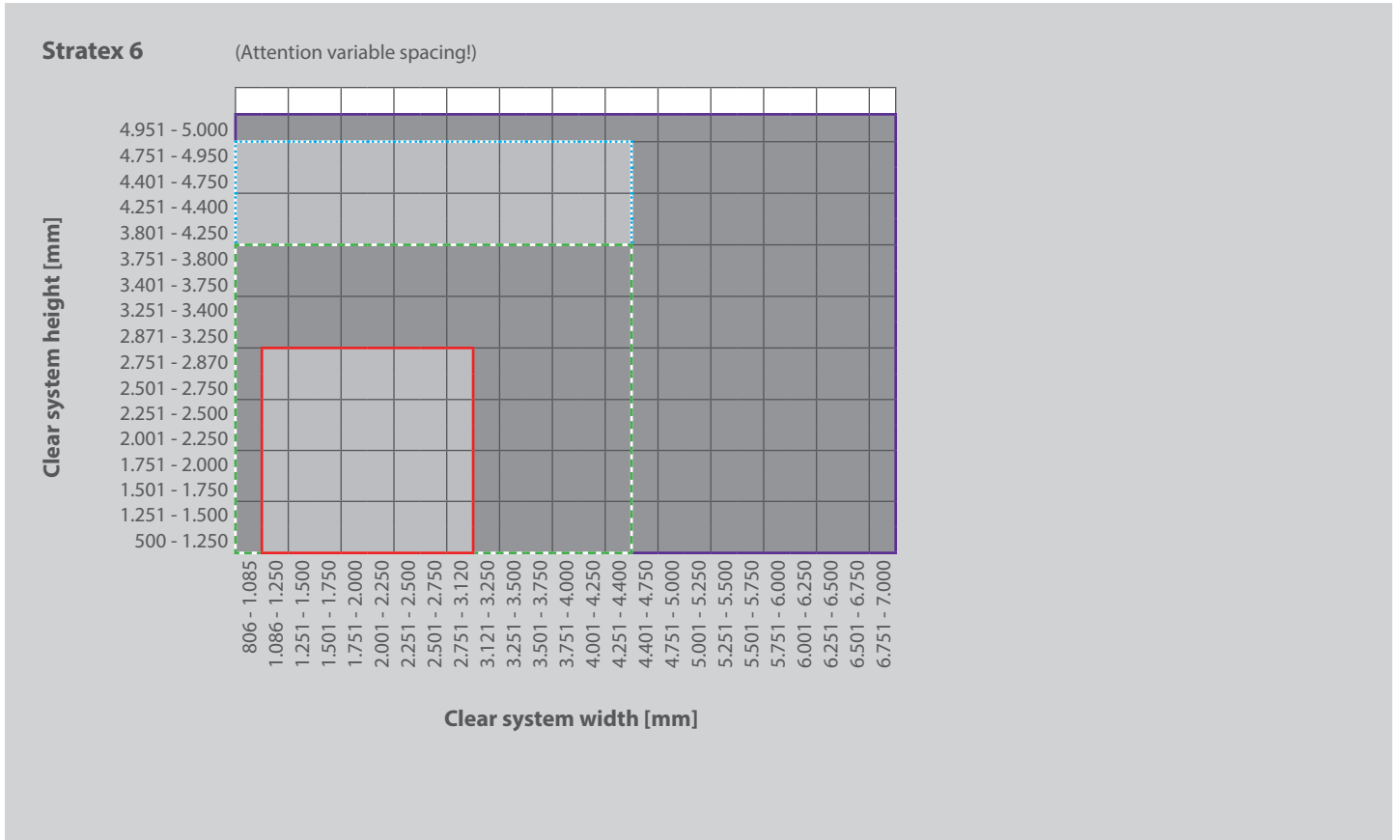
Note: Dotted line for the winding shaft receptacle (housing)

## Housing overview



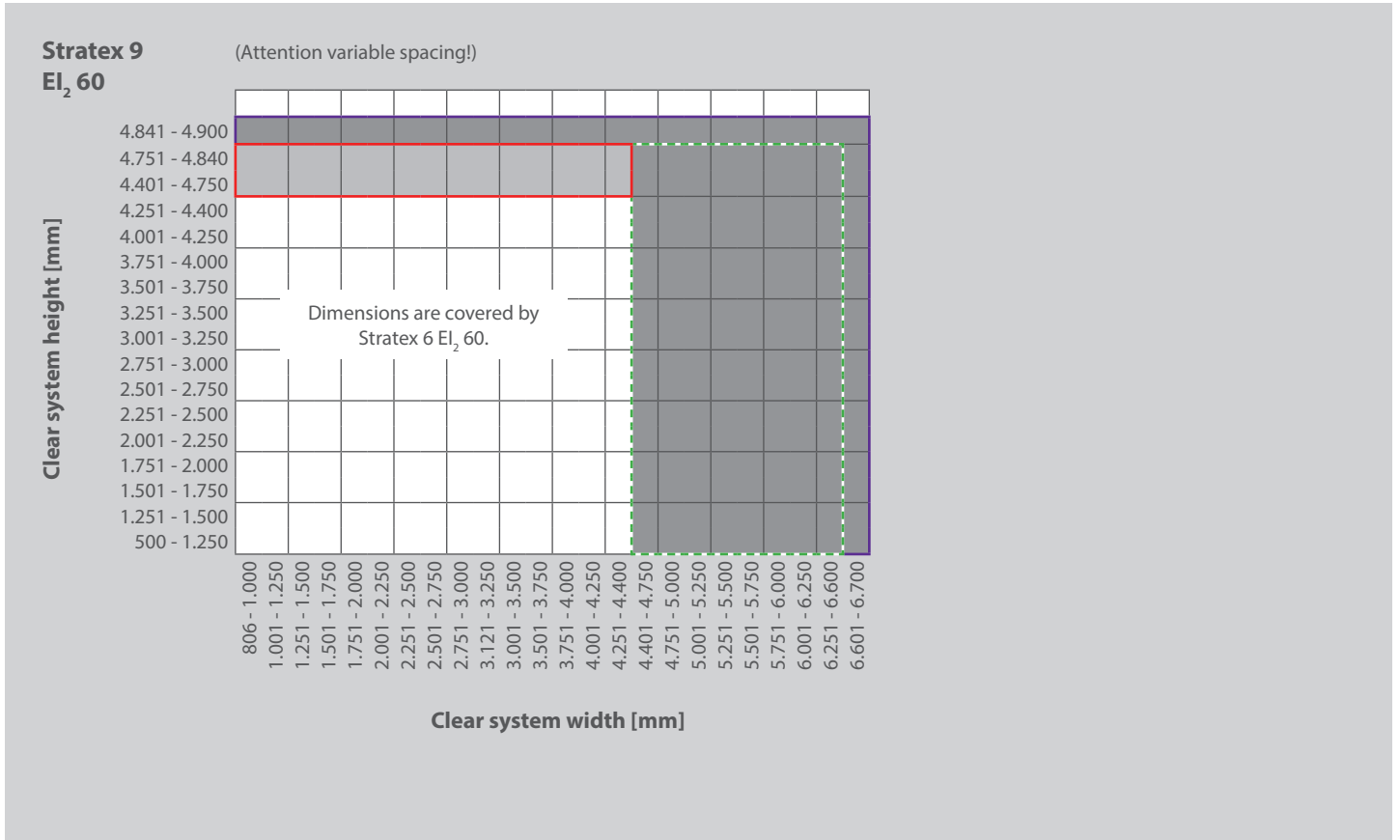
Versions	Housing depth	Housing height	Mounting type Housing/guide rail
EI, 30: Type A + Type 3	380 mm	350 mm	Wall/wall
EI, 30: Type A + Type 1	380 mm	350 mm	Wall/wall
EI, 30: Type B + Type 1	460 mm	430 mm	Wall/wall
TM without CE			Wall/wall

## Housing overview

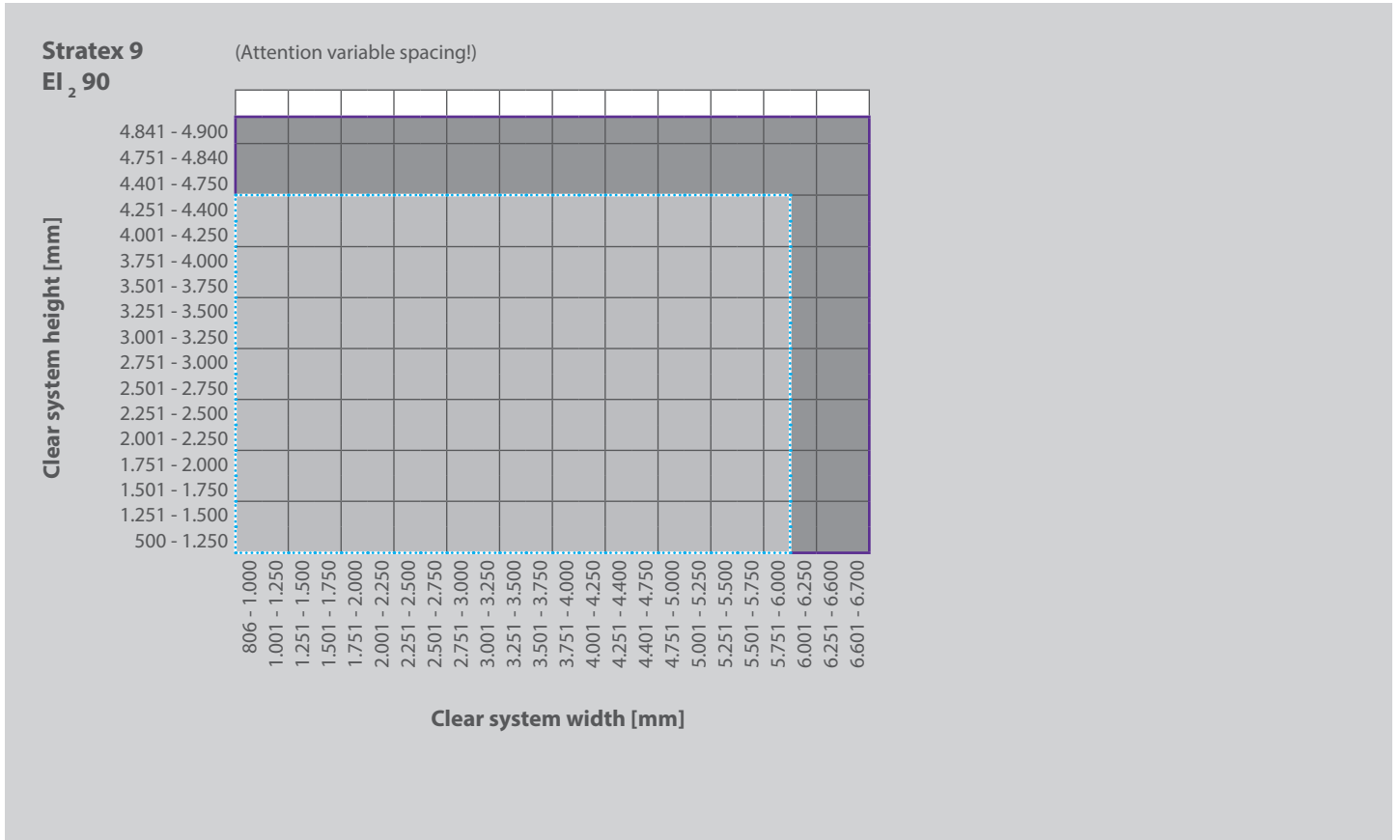


Versions	Housing depth	Housing height	Mounting type Housing/guide rail
EI <sub>2</sub> 60: Type A + Type 3	380 mm	350 mm	Wall/wall
EI <sub>2</sub> 60: Type A + Type 1	380 mm	350 mm	Wall/wall
EI <sub>2</sub> 60: Type B + Type 1	460 mm	430 mm	Wall/wall
TM without CE			Wall/wall

## Housing overview



## Housing overview



**Versions**

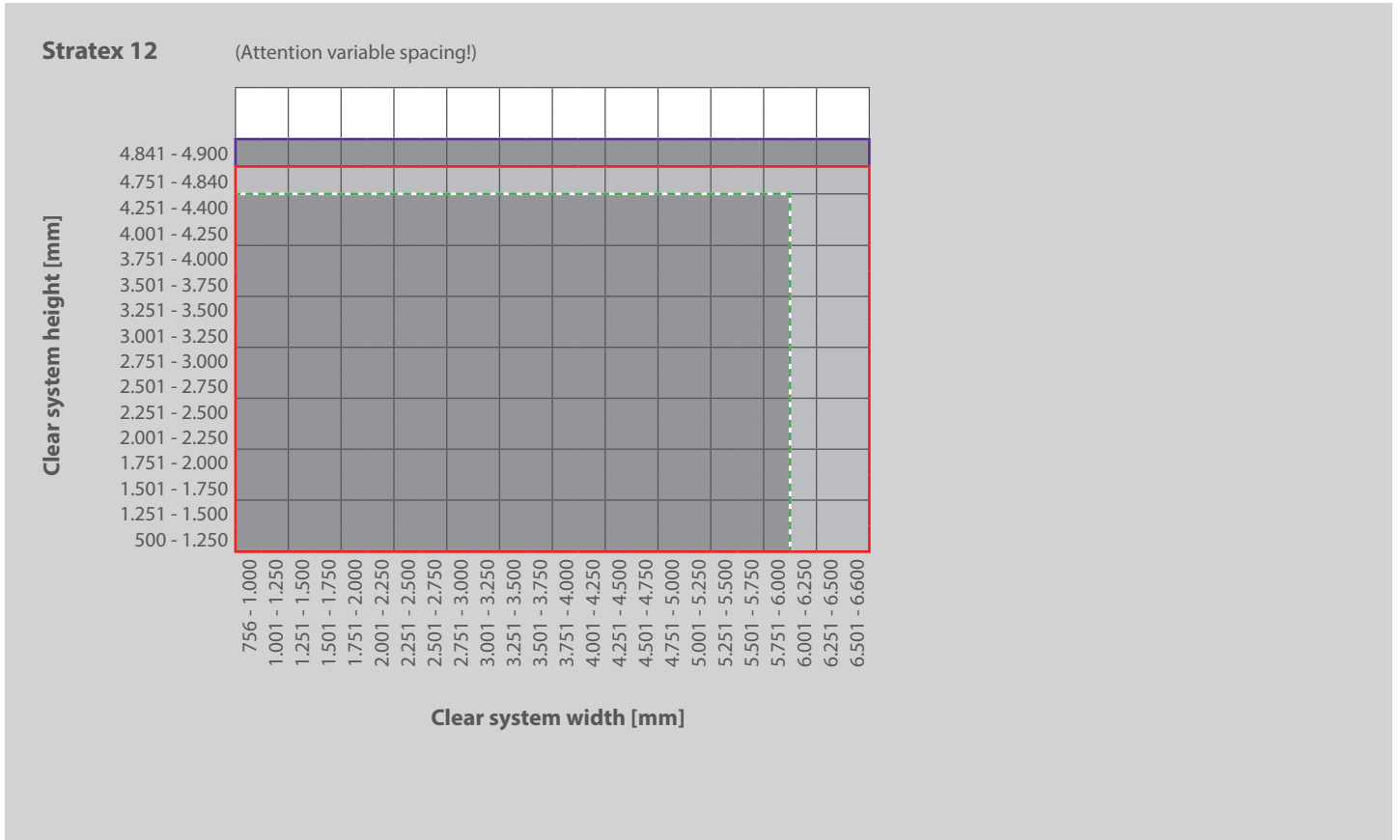
**Housing depth**

**Housing height**

**Mounting type  
Housing/guide rail**

EI <sub>2</sub> 60: Type B + Type 1	460 mm	430 mm	Wall/wall
EI <sub>2</sub> 60: Type B + Type 1	460 mm	430 mm	Wall/wall
EI <sub>2</sub> 90: Type B + Type 1	460 mm	430 mm	Wall/wall
TM without CE: Type B + Type 1	460 mm	430 mm	Wall/wall

## Housing overview



Versions	Housing depth	Housing height	Mounting type Housing/guide rail
EI <sub>1</sub> 60: Type B + Type 2	460 mm	430 mm	Wall/wall
EI <sub>1</sub> 90: Type B + Type 2	460 mm	430 mm	Wall/wall
EI <sub>2</sub> 120: Type B + Type 2	460 mm	430 mm	Wall/wall
TM without CE: Type B + Type 2	460 mm	430 mm	Wall/wall